

SPECIFICATIONS:

POWER RATING: 3 WATT CONTINUOUS

FREQUENCY RANGE & VSWR:

DC TO 1GHz AT 1.10:1 MAX.

1GHz TO 4GHz AT 1.25:1 MAX.

AMBIENT TEMPERATURE RANGE: -40°C TO +40°C

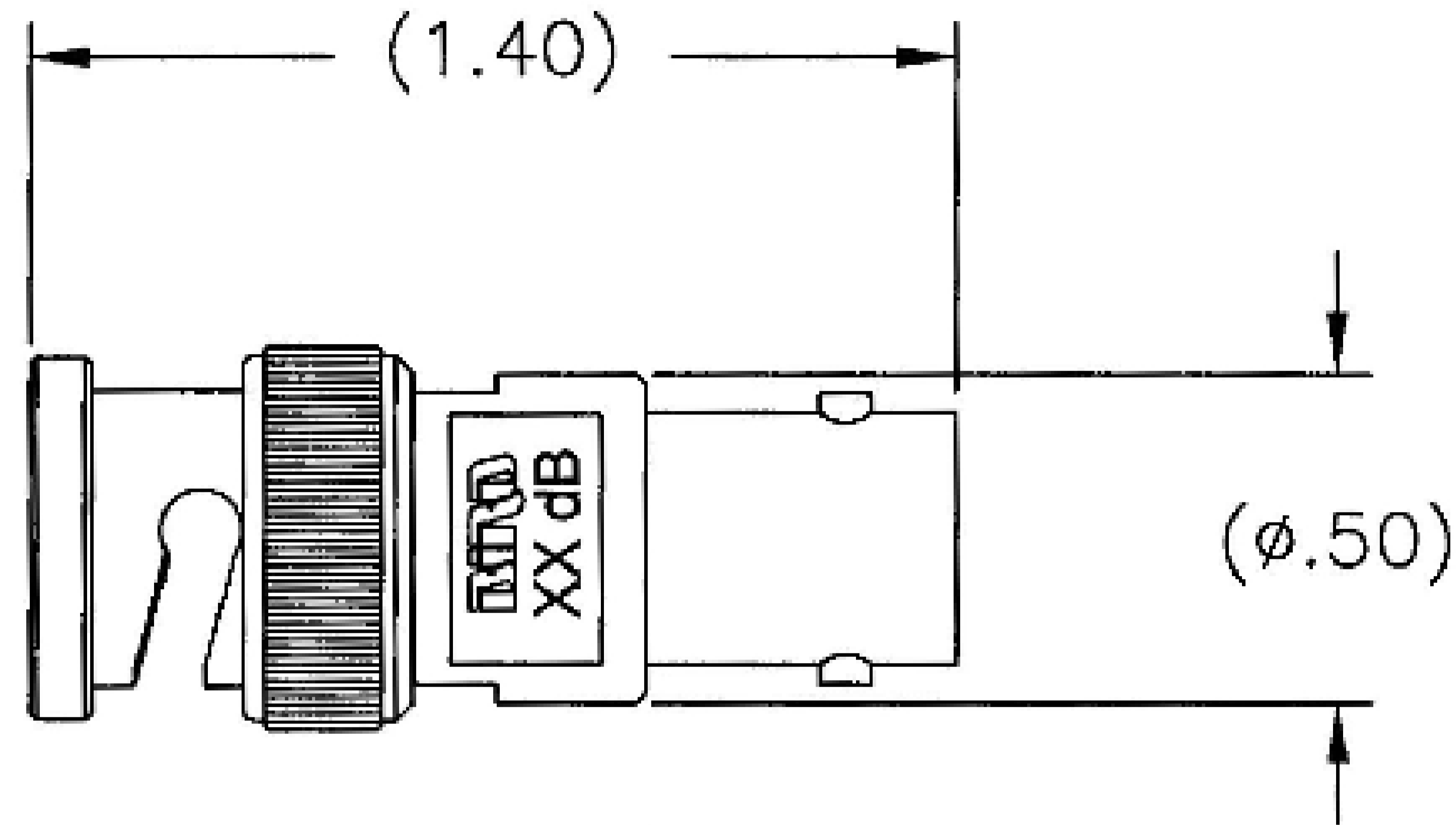
CONNECTOR: BNC MALE AND FEMALE

FINISH: NICKEL PLATED

OPERATING POSITION: ANY

COOLANT: DRY (CONVECTION COOLED)

REVISIONS		DWG. NO.	3-A-MFB-XX	SHEET	REV
				1	A
ZONE	REV	DESCRIPTION	DATE	APPROVED	
	A	RELEASED TO PRODUCTION	4-6-00	<i>MR</i>	



XX = DASH NUMBER (dB VALUE)

-30	30	±0.8 dB	±1.3 dB
-20	20	±0.5 dB	±1.0 dB
-10	10	±0.4 dB	±0.8 dB
-06	6	±0.4 dB	±0.6 dB
-03	3	±0.3 dB	±0.5 dB
-02	2	±0.3 dB	±0.5 dB
-01	1	±0.3 dB	±0.5 dB
DASH NO.	dB ATTEN.	DC - 1GHz ATTENUATOR	1 - 4GHz ACCURACY ±dB

NOTE:

FOR VALUES NOT LISTED, REFER TO THE NEXT HIGHER ATTENUATION LEVEL FOR SPECIFICATIONS. FOR ATTENUATION VALUES GREATER THAN THE HIGHEST LISTED ATTENUATION VALUE, REFER TO THE VALUE 1/2 THE DESIRED ATTENUATION LEVEL, THEN DOUBLE THE LISTED SPECIFICATION VALUES, UNLESS OTHERWISE SPECIFIED.

UNLESS OTHERWISE SPECIFIED DIMENSIONS ARE IN INCHES TOLERANCES ARE:

FRACTIONS ± 1/64
 DECIMALS .XX = ±.010
 .XXX = ±.005
 ANGLES ± 30'

DO NOT SCALE DRAWING

MILLIMETERS

.X = ±.4
 .XX = ±.12

THIS DRAWING IS THE PROPERTY OF THE BIRD ELECTRONIC CORPORATION. THE DESIGNS AND SPECIFICATIONS DISCLOSED HEREON ARE PROPRIETARY AND SHALL NOT BE REPRODUCED, NOR COPIED, NOR USED AS THE BASIS FOR THE MANUFACTURE OR SALE OF APPARATUS OR DEVICES WITHOUT THEIR EXPRESS WRITTEN CONSENT.



BIRD Electronic Corporation
 Cleveland (Solon) Ohio USA

MATERIAL	APPROVALS	DATE	TITLE		
	DRAWN D.M.RINK	12-18-02	ATTENUATOR, BNC MALE/FEMALE, 3W		
FINISH	CHECKED		SIZE	FSCM NO.	DWG. NO.
	APPROVED <i>MARKV</i>	4-23-03	A	70998	3-A-MFB-XX
	AUTOCAD		SCALE	COMM CODE	SHEET
			1:1	AT1	1 OF 1